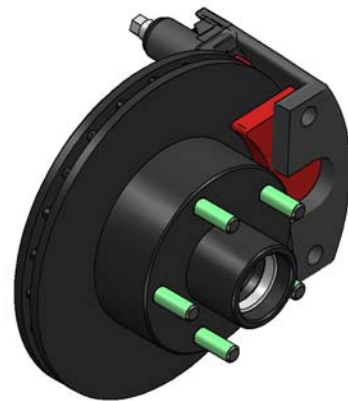




Disc Brake & Components

Disc Brake Kits (* All Silver Cadmium Kits are available with either Silver Cadmium or Stainless Steel Calipers.)

Capacity	Description	CSA Certified
1,750 lbs.	10" E-Coated Disc Brake Set (includes all attaching components)	
	10" SCAD Disc Brake Set (includes all attaching components)	
3,000 lbs.	12" E-Coated Disc Brake Set (includes all attaching components)	
	12" SCAD Disc Brake Set (includes all attaching components)	
3,500 lbs.	13" E-Coated Disc Brake Set (includes all attaching components)	
	13" SCAD Disc Brake Set (includes all attaching components)	
5,000 lbs.	10K E-Coated Disc Brake Set (includes all attaching components)	
	10K SCAD Disc Brake Set (includes all attaching components)	



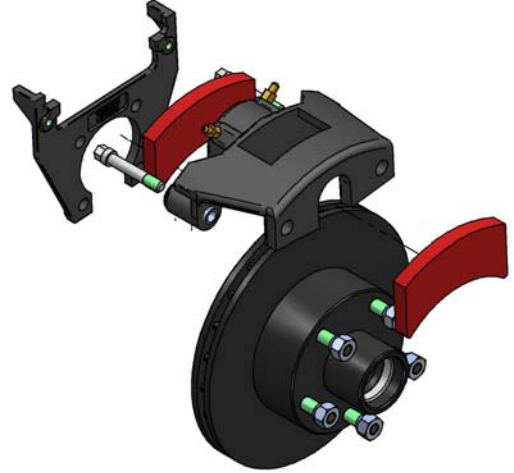
↳ Contact Axis Product Service and Sales Department to Order



**Quality Driven...
Customer Focused**



Disc Brake & Components



DISC BRAKE COMPONENTS

Component Description	10" E-Coat	12" E-Coat	10" SCAD	12" SCAD	10" Stainless	12" Stainless	13" E-Coat	13" SCAD
1/2-20 X 1.69 Stud	•	•	•	•	•	•		
Mounting Bracket	•	•	•	•	•	•	•	•
Caliper w/ Pads	•	•	•	•	•	•		
Parking Brake Caliper	•	•	•	•	•	•		
10,000 lb Caliper							•	•
10,000 lb. Hub/Spacer							•	•
10,000 lb. Rotor							•	•
1/2-20 X 1.69 Stud for Disc Brake	•	•	•	•	•	•		
10" Mounting Bracket	•		•		•			
10" & 12" Caliper	•	•	•	•	•	•		
10" DISC Brake -Set	•		•		•			
10" Rotor Integral	•		•		•			
10" Disc Brake Set	•		•		•			
10" Park Brake Mounting Bracket	•	•	•	•	•	•		
10" Rotor Non-Integral	•		•		•			
10"&12" Parking Brake Caliper	•	•	•	•	•	•		

Contact Axis Product Service and Sales Department to Order



Quality Driven...
Customer Focused



Disc Brake & Components

DISC BRAKE COMPONENTS (Continued...)

Component Description	10" E-Coat	12" E-Coat	10" SCAD	12" SCAD	10" Stainless	12" Stainless	13" E-Coat	13" SCAD
12" Mounting Bracket		•		•		•		
12" Disc Brake *-Set-*		•		•		•		
12" Rotor Integral		•		•		•		
12" Rotor Only (655)		•		•		•		
13" 10K Disc Brake Set							•	•
13" Hub/Rotor Integral							•	•
13" Rotor Only (865)							•	•
28580 Inner Bearing for 10K							•	•
8K Oil Bath Cap		•		•		•	•	•
AB-1-14 ACTIBRAKE Disc		•		•		•	•	•
Back-Up Solenoid Valve Kit	•	•	•	•	•	•	•	•
Bleeder Screw & Adapter	•	•	•	•	•	•	•	•
Bracket 10" Disc Non-Integral	•		•		•			
Brass Bleed Port Screw	•	•	•	•	•	•	•	•
Caliper Guide Bolt	•	•	•	•	•	•	•	•
Kodiak XL Pro Lube Oil Bath 10"	•		•		•			
Kodiak XL Pro Lube Oil Bath 12"		•		•		•		
Pads Set for 13" Disc Brakes							•	•
Pads for Disc Brakes 10 & 12	•	•	•	•	•	•		
Red Eye Bearing Protector	•	•	•	•	•	•	•	•
Special 10K Seal for Disc							•	•
Stud for 13" Disc Brake							•	•

↳ Contact Axis Product Service and Sales Department to Order



Quality Driven...
Customer Focused



Electric Brake & Components



Electric Brake Assemblies

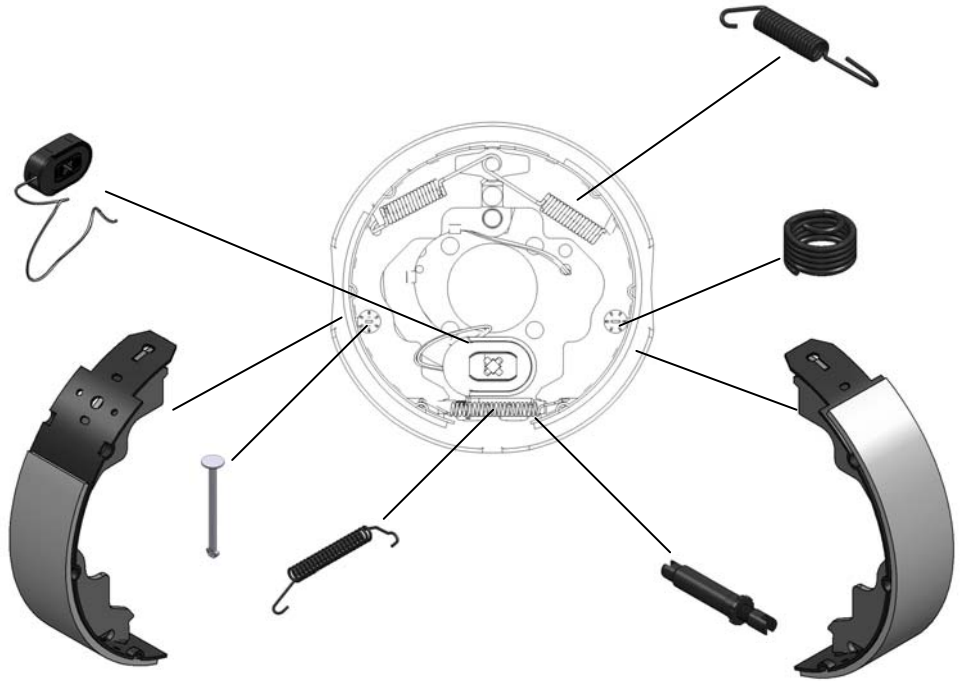
Capacity	Description	CSA Certified
1,100 lbs.	7" x 1-1/4" Left Hand Electric Brake	
	7" x 1-1/4" Right Hand Electric Brake	
1,750 lbs.	10" x 2-1/4" Left Hand Electric Brake	•
	10" x 2-1/4" Right Hand Electric Brake	•
	10" x 2-1/4" Left Hand Electric Brake with Parking Feature	•
	10" x 2-1/4" Right Hand Electric Brake with Parking Feature	•
3,000 lbs.	12" x 2" Left Hand Electric Brake	•
	12" x 2" Right Hand Electric Brake	•
	12" x 2" Left Hand Electric Brake with Parking Feature	•
	12" x 2" Right Hand Electric Brake with Parking Feature	•
3,500 lbs.	12" x 2" Left Hand Electric Brake	•
	12" x 2" Right Hand Electric Brake	•

• - CSA Certified brake available by request



Quality Driven...
Customer Focused

Electric Brake & Components



ELECTRIC BRAKE COMPONENTS

Component Description	10"	12"	10" w/Park	12" w/Park	10" F-B	12" F-B	10" F-B w/Park	12" F-B w/Park
Leading Shoe Assembly	•	•	•	•				
Trailing Shoe Assembly	•	•	•	•				
Brake Shoe Weldment	•	•	•	•	•	•	•	•
Brake Lever Assembly Right	•	•	•	•	•	•	•	•
Brake Lever Assembly Left	•	•	•	•	•	•	•	•
Bottom Plate Assembly	•	•	•	•	•	•	•	•
Adjusting Lever Assembly Right	•	•	•	•	•	•	•	•
Adjusting Lever Assembly Left	•	•	•	•	•	•	•	•
Return Spring	•	•	•	•	•	•	•	•
Cover Plate	•	•	•	•	•	•	•	•
Spring, Shoes Hold	•	•	•	•	•	•	•	•
Spring Seat	•	•	•	•	•	•	•	•
Pin, Shoes Hold	•	•	•	•	•	•	•	•
Pull Back Spring	•	•	•	•	•	•	•	•

↳ Contact Axis Product Service and Sales Department to Order

Quality Driven...
Customer Focused



Electric Brake & Components

ELECTRIC BRAKE COMPONENTS (continued...)

Component Description	10"	12"	10" w/Park	12" w/Park	10" F-B	12" F-B	10" F-B w/Park	12" F-B w/Park
Rubber Plug	•	•	•	•	•	•	•	•
Elastic Clip			•	•			•	•
Plastic Clip			•	•			•	•
Magnetic Clip	•	•	•	•	•	•	•	•
Brake Lever Assembly			•	•			•	•
Left Bake Lever			•	•			•	•
Magnetic Spring	•	•	•	•	•	•	•	•
Brake Lever Clip			•	•			•	•
Brake Lever Bushing			•	•			•	•
Fixing Rivet	•	•	•	•	•	•	•	•
Brake Block			•	•			•	•
Electromagnetism	•	•	•	•	•	•	•	•
Fixing Block	•	•	•	•	•	•	•	•
Axis Pin	•	•	•	•	•	•	•	•
Adjusting Bolt Right					•	•	•	•
Adjusting Bolt Left	•	•	•	•				
Adjusting Nut Right	•	•	•	•				
Adjusting Bolt Left					•	•	•	•
Adjusting Pipe	•	•	•	•	•	•	•	•
10" Free-backing shoe & lining kit					•		•	
12" Free-backing shoe & lining kit						•		•
	•	•	•	•	•	•	•	•

↳ Contact Axis Product Service and Sales Department to Order



Quality Driven...
Customer Focused



Hydraulic Brakes & Components



Hydraulic Brake Assemblies

Capacity	Description	CSA Certified
1,250 lbs.	7" x 1-3/4" Left Hand Hydraulic Brake	
	7" x 1-3/4" Right Hand Hydraulic Brake	
1,750 lbs.	10" x 2-1/4" Left Hand Hydraulic Brake	•
	10" x 2-1/4" Right Hand Hydraulic Brake	•
	10" x 2-1/4" Left Hand Hydraulic Brake, Free-Backing	•
	10" x 2-1/4" Right Hand Hydraulic Brake, Free-Backing	•
	10" x 2-1/4" Left Hand Hydraulic Brake, Free-Backing with Parking Feature	•
	10" x 2-1/4" Right Hand Hydraulic Brake, Free-Backing with Parking Feature	•
3,000 lbs.	12" x 2" Left Hand Hydraulic Brake	•
	12" x 2" Right Hand Hydraulic Brake	•
	12" x 2" Left Hand Hydraulic Brake, Free-Backing	•
	12" x 2" Right Hand Hydraulic Brake, Free-Backing	•
	12" x 2" Left Hand Hydraulic Brake, Free-Backing with Parking Feature	•
	12" x 2" Right Hand Hydraulic Brake, Free-Backing with Parking Feature	•

• - CSA Certified brake available by request

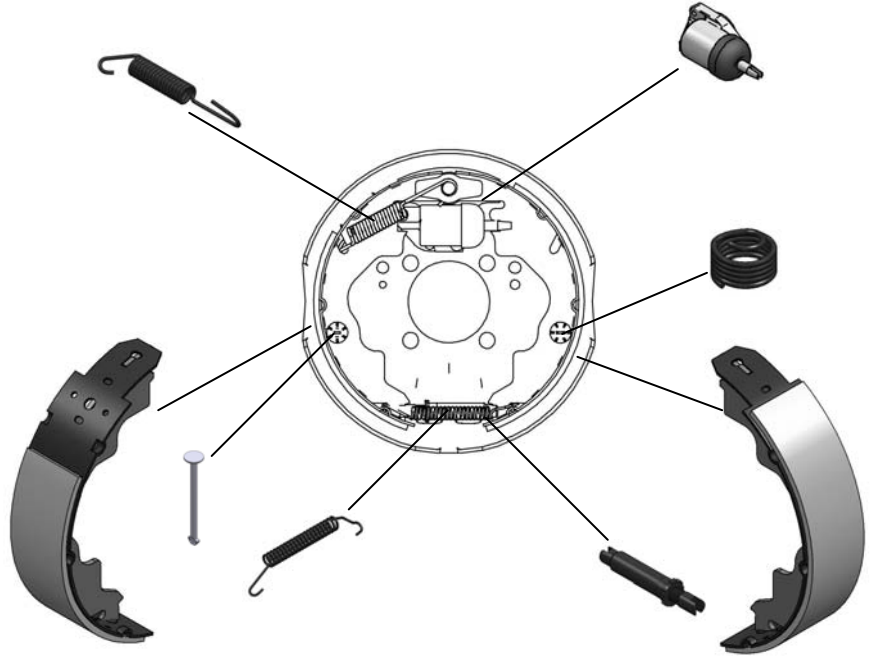
HYDRAULIC BRAKES

• Phone 574.264.7955 • Fax 574.266.8333 • axistrailerproducts.com





Hydraulic Brakes & Components



HYDRAULIC BRAKE COMPONENTS

Component Description	10"	12"	10" w/Park	12" w/Park	10" F-B	12" F-B	10" F-B w/Park	12" F-B w/Park
Adjusting Screw Assembly	•	•	•	•	•	•	•	•
Anchor pin, olive drab, w/parking brake	•	•	•	•	•	•	•	•
Anchor Pin, zinc	•	•	•	•	•	•	•	•
Back Plate painted black	•	•	•	•	•	•	•	•
Bolt, 1/4-20 x 3/4", zinc	•	•	•	•	•	•	•	•
Bolt, 5/16-18 x 5/8", zinc plated	•	•	•	•	•	•	•	•
Cap screw & lock washer, zinc plated	•	•	•	•	•	•	•	•
Cup, stainless steel, shoe hold down	•	•	•	•	•	•	•	•
Front Shoe, bonded free backing					•	•	•	•
Hex cap screw, 5/16-18 x 3/4", zinc	•	•	•	•	•	•	•	•
Hex cap screw, 5/16-18 x 5/8"	•	•	•	•	•	•	•	•
Hex nut, 7/16-20	•	•	•	•	•	•	•	•
Locknut, 1/4-20, olive drab	•	•	•	•	•	•	•	•
Locknut, 5/16-18, zinc plated	•	•	•	•	•	•	•	•

↳ Contact Axis Product Service and Sales Department to Order

Quality Driven...
Customer Focused





Hydraulic Brakes & Components

HYDRAULIC BRAKE COMPONENTS (continued...)

Component Description	10"	12"	10" w/Park	12" w/Park	10" F-B	12" F-B	10" F-B w/Park	12" F-B w/Park
Lock washer, 7/16" standard	•	•	•	•	•	•	•	•
Parking Brake Lever w/pin Left hand			•	•			•	•
Parking Brake Lever w/pin Right hand			•	•			•	•
Pin, shoe hold down	•	•	•	•	•	•	•	•
Pin, shoe hold down, #1, stainless steel	•	•	•	•	•	•	•	•
Pin, shoe hold down, #8, stainless steel	•	•	•	•	•	•	•	•
Plug, adjusting screw slot	•	•	•	•	•	•	•	•
Push rod, zinc plated	•	•	•	•	•	•	•	•
Retainer	•	•	•	•	•	•	•	•
Retaining ring, olive drab plated	•	•	•	•	•	•	•	•
Secondary shoe, bonded	•	•	•	•				
Shoe Lever, painted	•	•	•	•	•	•	•	•
Socket, adjusting screw, zinc	•	•	•	•	•	•	•	•
Spring, Adjusting Screw	•	•	•	•	•	•	•	•
Spring, free backing shoe					•	•	•	•
Spring, front shoe lever	•	•	•	•				
Spring, hold down	•	•	•	•				
Spring, lower free backing shoe					•	•	•	•
Spring, rear shoe return	•	•	•	•	•	•	•	•
Spring-Adjusting screw	•	•	•	•	•	•	•	•
Toggle link Left hand	•	•	•	•	•	•	•	•
Toggle link Right hand	•	•	•	•	•	•	•	•
Washer, zinc plated	•	•	•	•	•	•	•	•
Wheel Cylinder, left greased & plated	•	•	•	•	•	•	•	•
Wheel Cylinder, right greased & plated	•	•	•	•	•	•	•	•
18" Hydraulic Brake Hose Male to Female Connectors	•	•	•	•	•	•	•	•
Tandem Axle Brake Line Kit AG-202 TA	•	•	•	•	•	•	•	•
Flexible SGL Axle Brake Line Kit	•	•	•	•	•	•	•	•
SGL Axle Brake Line Kit AG-102-SA	•	•	•	•	•	•	•	•
Standard Brake Line Kit	•	•	•	•	•	•	•	•
14" Brake Hose Female to Female Connectors	•	•	•	•	•	•	•	•

↳ Contact Axis Product Service and Sales Department to Order



**Quality Driven...
Customer Focused**