



# 2,500–3,700 lb. Spring Axles

Typical Industries & Applications include:

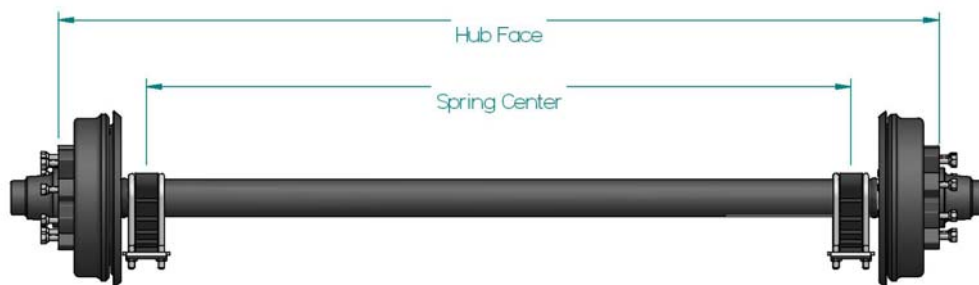
- Recreational Vehicle Trailers
- Enclosed Trailers
  - Cargo
  - Vehicle
  - Race Vehicle
- Open Utility Trailers
  - Landscape
  - Equipment
  - Sport Utility—motorcycle, quad and tri wheel units.
  - Construction
- Agricultural Equipment
  - Feed & Grain
  - Spreaders
  - Transport
- Manufactured Home Axles



## Mounting and Dimensions

In order to minimize tire wear and axle performance issues Axis recommends that the following guidelines be followed when specifying axles within the 2,500 to 3,700 lb. The difference between hub face and spring center based on spindle and brake flange.

Type	Flange	Minimum	Maximum
Straight Spindle	No Brake Flange	10.75"	18"
Straight Spindle	Flanged	12.50"	18"
4" Drop Spindle	Flanged	14.00"	18"



## OPTIONS:



Spring Axle Under Slung



Spring Axle Over Slung



4" Drop Spindle



Drop Center Camber



Standard Camber

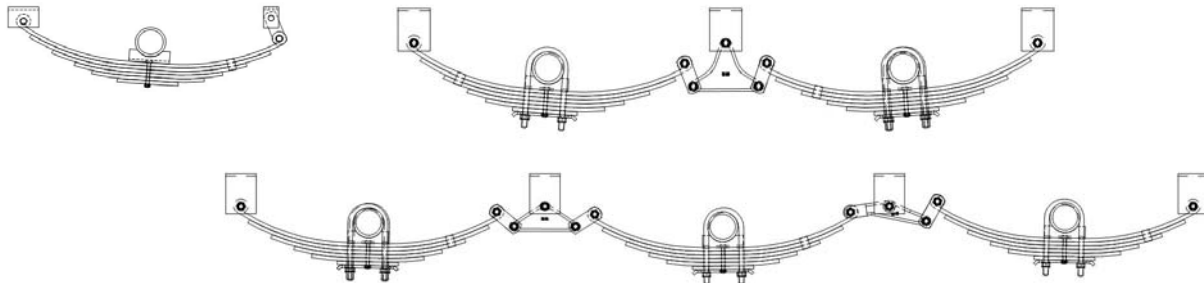
Available Finishes include:

- Powder Coating
- Galvanized
- Wet Paint



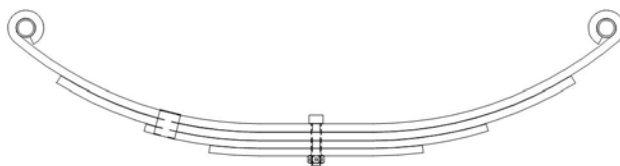
# 2,500–3,700 lb. Spring Axles

## DOUBLE EYE SPRING AXLE CONFIGURATIONS



### HANGER KITS

CONFIGURATION	AXIS P/N	AXIS P/N ZINC PLATED	AXLE SPACING (STANDARD 33")	DESCRIPTION (CONTENTS)
SINGLE KITS	7024006000	7024056000	25 3/4" Hanger Spacing	4 pcs. 18-12 Link, 2 pcs. 28-6 Hanger, 2 pcs. 93003 Hanger, 6 pcs. 3" Shackle Bolt, 6 pcs. Lock Nut
	7024004000	7024054000	25 3/4" Hanger Spacing	4 pcs. 18-12 Link, 2 pcs. 28-5 Hanger, 2 pcs. 93003 Hanger, 6 pcs. 3" Shackle Bolt, 6 pcs. Lock Nut
TANDEM KITS	7024023000	7024073000	29-1/2" Hanger Spacing	8 pcs. 18-11 Link, 2 pcs. 13-10 Equalizer, 6 pcs. 28-6 Hanger, 14 pcs. 3" Shackle Bolt, 14 pcs. Lock Nut
	7024025000	7024075000	29-1/2" Hanger Spacing	8 pcs. 18-11 Link, 2 pcs. 13-10 Equalizer, 6 pcs. 28-5 Hanger, 14 pcs. 3" Shackle Bolt, 14 pcs. Lock Nut
	7024026000	7024076000	29-1/2" Hanger Spacing	8 pcs. 18-11.5 Link, 2 pcs. 13-10 Equalizer, 6 pcs. 28-5 Hanger, 14 pcs. 3" Shackle Bolt, 14 pcs. Lock Nut
TRIPLE KITS	7024033000	7024083000	Front/Rear Hanger 29-1/2", Center Hanger 33"	16 pcs. 18-11 Link, 4 pcs. 13-10 Equalizer, 8 pcs. 28-6 Hanger, 24 pcs. 3" Shackle Bolt, 24 pcs. Lock Nut
	7024035000	7024085000	Front/Rear Hanger 29-1/2", Center Hanger 33"	16 pcs. 18-11 Link, 4 pcs. 13-10 Equalizer, 8 pcs. 28-5 Hanger, 24 pcs. 3" Shackle Bolt, 24 pcs. Lock Nut
	7024036000	7024086000	Front/Rear Hanger 29-1/2", Center Hanger 33"	16 pcs. 18-11.5 Link, 4 pcs. 13-10 Equalizer, 8 pcs. 28-5 Hanger, 24 pcs. 3" Shackle Bolt, 24 pcs. Lock Nut



### DOUBLE EYE SPRINGS

AXIS P/N	CAPACITY (each)	LENGTH	Description
780312521250	1,250	25.25"	72 - 22 3 Leaf Double Eye Spring
780312521500	1,500	25.25"	72 - 23 3 Leaf Double Eye Spring
780313021250	1,250	30.00"	72 - 34 3 Leaf Double Eye Spring
780312021400	1,400	20.50"	72-13 3 Leaf Double Eye Spring
780312522000	2,000	25.25"	72-24 3 Leaf Double Eye Spring
780312321750	1,750	23.125"	72-9 3 Leaf Double Eye Spring
780312522100	1,750	25.25"	SW4B 4 Leaf Double Eye Spring

↳ Contact Axis Product Service and Sales Department to Order

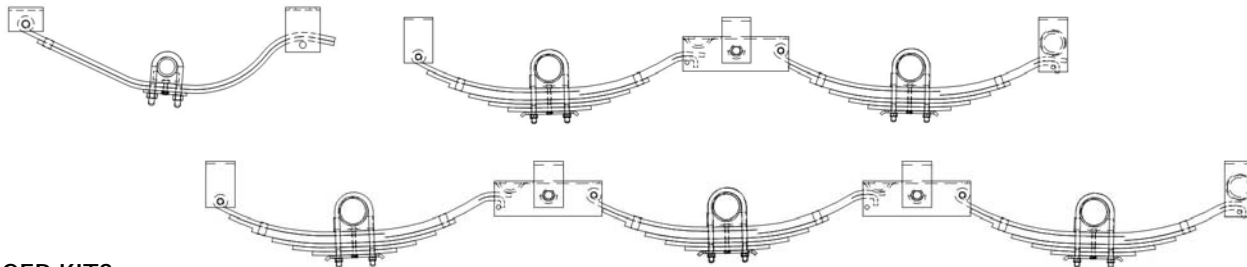
**Quality Driven...**  
**Customer Focused**





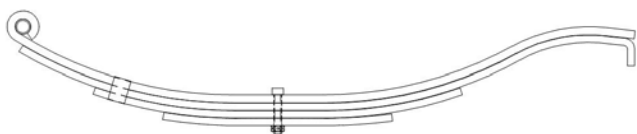
## 2,500–3,700 lb. Spring Axles

### SLIPPER SPRING AXLE CONFIGURATIONS



### HANGER KITS

CONFIGURATION	AXIS P/N	AXLE SPACING (TYPICAL)	DESCRIPTION (CONTENTS)
SINGLE KITS	7024042000	33-1/2" Spacing, 24" Hanger	4 pcs. 79-160 Hanger, 4 pcs. 3-1/2" Shackle Bolt, 4 pcs. Lock Nut
	7024043000	33-1/2" Spacing, 24" Hanger	2 pcs. 28-1 Hanger, 2 pcs. 30-28 Hanger, 2 pcs. 7-7 Keeper Bolt, 2 pcs. 6-11 Keeper Nut, 2 pcs. 3-1/2" Shackle Bolt, 2 pcs. Lock Nut
TANDEM KITS	7024044000	33-1/2" Spacing, 28 7/8" Hanger 36" Spacing, 30 5/8" Hanger	2 pcs. 29-1 Hanger, 2 pcs. 28-1 Hanger, 2 pcs. 30-28 Hanger, 2 pcs. 13-4 Equalizer, 2 pcs. 7-1 Equalizer Bolt, 2 pcs. 6-3 Nut, 4 pcs. 7-7 Keeper Bolt, 4 pcs. 6-11 Keeper Nut, 4 pcs. 3-1/2" Shackle Bolt, 4 pcs. Lock Nut
	7024045000	33-1/2" Spacing, 28 7/8" Hanger 36" Spacing, 30 3/8" Hanger	2 pcs. 29-1 Hanger, 2 pcs. 28-1 Hanger, 2 pcs. 30-28 Hanger, 2 pcs. 13-44 Long Equalizer, 2 pcs. 7-1 Equalizer Bolt, 2 pcs. 6-3 Nut, 4 pcs. 7-7 Keeper Bolt, 4 pcs. 6-11 Keeper Nut, 4 pcs. 3-1/2" Shackle Bolt, 4 pcs. Lock Nut
TRIPLE KITS	7024046000	33-1/2" Spacing, Front/Rear 28-7/8" Center 33" 36" Spacing, Front/Rear 30-3/8" Center 35"	4 pcs. 29-1 Hanger, 2 pcs. 28-1 Hanger, 2 pcs. 30-28 Hanger, 4 pcs. 13-4 Equalizer, 4 pcs. 7-1 Equalizer Bolt, 4 pcs. 6-3 Nut, 6 pcs. 7-7 Keeper Bolt, 6 pcs. 6-11 Keeper Nut, 6 pcs. 3-1/2" Shackle Bolt, 6 pcs. Lock Nut
	702404700	33-1/2" Spacing, Front/Rear 28-7/8" Center 33" 36" Spacing, Front/Rear 30-3/8" Center 35"	4 pcs. 29-1 Hanger, 2 pcs. 28-1 Hanger, 2 pcs. 30-28 Hanger, 4 pcs. 13-44 Long Equalizer, 4 pcs. 7-1 Equalizer Bolt, 4 pcs. 6-3 Nut, 6 pcs. 7-7 Keeper Bolt, 6 pcs. 6-11 Keeper Nut, 6 pcs. 3-1/2" Shackle Bolt, 6 pcs. Lock Nut



### SLIPPER SPRINGS

AXIS P/N	CAPACITY	LENGTH	Description
780312531500	1,500	24.00"	72-29 3 Leaf Slipper Spring
780312532000	2,000	24.00"	72-30 3 Leaf Slipper Spring

Contact Axis Product Service and Sales Department to Order

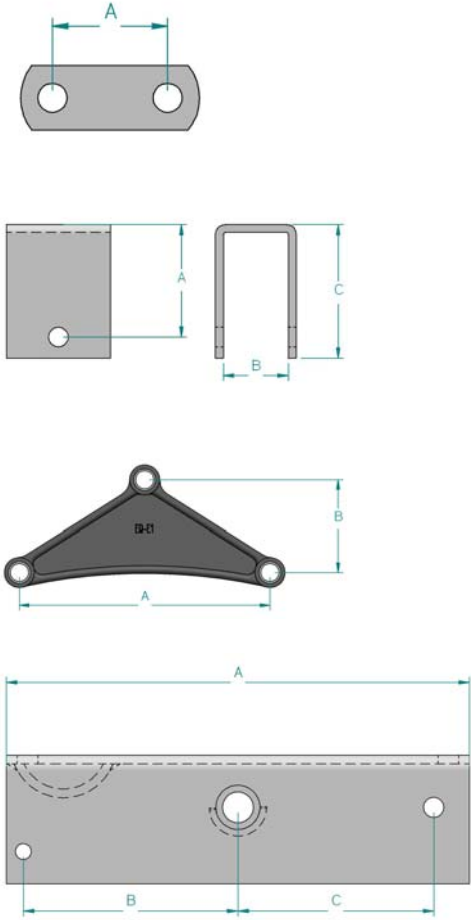
Quality Driven...  
Customer Focused



# 2,500–3,700 lb. Spring Axles

2,500–3,700 SA

Axis Trailer Products, Inc. • Elkhardt, IN. • Phone 574.264.7955 • Fax 574.266.8333 • axistrailerproducts.com



## SUSPENSION HARDWARE

AXIS P/N	Description	A	B	C	Double Eye/ Slipper
750362134000	13-4 Zinc Plated Equalizer	11"	5 1/8"	5 1/2"	Slipper
750816181100	18-11 Zinc Short Shackle Link	2.00"			DE
750816181200	18-12 Zinc Long Shackle Link	3.125"			DE
750816811500	18-11.5 Zinc Medium Shackle Link	2.56"			DE
770361131000	13-10 Cast Equalizer	6 1/16"	4"		DE
770361135300	13-104-2 Banana Equalizer	5 3/4"	2"		DE
770361135900	E1-5 Long Banana Equalizer	7 3/4"	2 7/8"		DE
787815281000	28-10 Extra Long Hanger				DE
787815285000	28-5 Long Hanger	3.25"	1.88"	3.87"	DE
787815286000	28-6 Short Hanger	1.44"	1.88"	2.06"	DE
787815298000	29-8 Medium Hanger	2.00"	1.88"	2.63"	DE
787815930010	93001 Rear Bushed Hanger	1.12"	1.34"	2.125"	DE
787815930300	9303 Rear Hanger	1.00"	1.30"	2.25"	DE
787816181100	18-11 Short Shackle Link	2.00"			DE
787816181200	18-12 Long Shackle Link	3.125"			DE
787816512500	18-13 Extra Long Shackle Link	3.50"			DE
787816811500	18-11.5 Medium Shackle Link	2.56"			DE
750711909181	9/16-18 x 3" Shackle Bolt Zinc				DE
750711909182	9/16-18x3.5" Shackle Bolt Zinc				DE
750721909181	9/16-18 FH Nut S-Loc Zinc				DE
78671909181	Shackle Bolt Lock Nut				DE/Slipper
77071135180	7-7 Keeper Bolt				Slipper
750721305180	6-11 Keeper Bolt				Slipper
770362134000	13-4 Equalizer	11"	5 1/8"	5 1/2"	Slipper
770362134410	13-44 Long Equalizer	13 1/8"	6 1/16"	5 9/16"	Slipper
770362135500	13-105-2 Cast Equalizer	6 3/4"	2 7/8"		Slipper
770362135600	EQ-356 Cast Equalizer	6 1/8"	2 1/2"		Slipper
770711214090	7-1 Equalizer Bolt				Slipper
770722124090	6-3 Equalizer Bolt Nut				Slipper
770815281000	28-1 Front Hanger	4.16"	2.20"	4.78"	Slipper
770815291000	29-1 Equalizer Hanger	3.5"	3.06"	4.78"	Slipper
770815302800	30-28 Rear Hanger	3.94"	2.25"	5.72"	Slipper
786711909182	3-1/2" Shackle Bolt				Slipper

## U-Bolts & Tie Plates

AXIS P/N	Description
750814123000	12-3 Zinc Tie Plate 1-3/4" Spring
750814124000	12-2 Zinc Tie Plate for 2" Spring
750730008030	1/2-20 Zinc U-Bolt Lock Nut
750711108204	5-1/2" U-Bolt 2-3/8" Tube 11-22-Zinc

Contact Axis Product Service and Sales Department to Order

Quality Driven...  
Customer Focused





## 2,500—3,700 lb. Spring Axles

### BRAKES

AXIS P/N	Description
770512310300	10" Electric Brake Left Hand
770512410300	10" Electric Brake Right Hand
770512310320	10" Electric Brake w/ Park Left Hand
770512410320	10" Electric Brake w/ Park Right Hand
796513310300	10" Hydraulic Brake Left Hand
796513410300	10" Hydraulic Brake Right Hand
796513310320	10" Hydraulic Brake/ Fee Backing Left Hand
796513410320	10" Hydraulic Brake/ Fee Backing Right Hand
796513310360	10" Hydraulic Brake/ Fee Backing w/ Park Left Hand
796513410360	10" Hydraulic Brake/ Fee Backing w/ Park Right Hand
796713410600	10" E-Coated Disc Brake Set (includes all attaching components)
796713410755	10" SCAD Disc Brake Set (includes all attaching components)

### HUBS (All Parts (w/AP) Includes—Bearings, Seal, Dust Cap, Wheel Nuts & Grease)

AXIS P/N w/AP	AXIS P/N Race Only	Bolt Pattern	Description
702331100000	770412705510	5 on 4-1/2"	H-545 Hub for Plain Spindle
702331220000	770412705510	5 on 4-1/2"	H-545 Hub for SAFE-T-LUBE Spindle
702332100000	770412705512	5 on 4 3/4"	H-5475 Hub for Plain Spindle
702332110000	770412705512	5 on 4 3/4"	H-5475 Hub for SAFE-T-LUBE Spindle
702332400000	770412705511	5 on 5"	H-550 Hub for Plain Spindle
702332410000	770412705511	5 on 5"	H-550 Hub for SAFE-T-LUBE Spindle
702337700000	770412705513	5 on 5 1/2"	H-555 Hub for Plain Spindle
702332710000	770412705513	5 on 5 1/2"	H-555 Hub for SAFE-T-LUBE Spindle
702333000000	770412710610	6 on 5 1/2"	H-655 Hub for Plain Spindle
702333100000	770412710610	6 on 5 1/2"	H-655 Hub for SAFE-T-LUBE Spindle
702336100000	770412110510	5 on 4-1/2"	HD-545 Drum for Plain Spindle
702336300000	770412110510	5 on 4-1/2"	HD-545 Drum for SAFE-T-LUBE Spindle
702337100000	770412110512	5 on 4 3/4"	HD-5475 Drum for Plain Spindle
702337400000	770412110511	5 on 5"	HD-550 Drum for Plain Spindle
702337700000	770412110513	5 on 5 1/2"	HD-555 Drum for Plain Spindle
702338000000	770412110610	6 on 5 1/2"	HD-655 Drum for Plain Spindle

↪ Contact Axis Product Service and Sales Department to Order

Quality Driven...  
 Customer Focused





## 2,500–3,700 lb. Spring Axles

2,500–3,700 SA

Axis Trailer Products, Inc. • Elkhart, IN. • Phone 574.264.7955 • Fax 574.266.8333 • axistrailerproducts.com

### HUB HARDWARE

AXIS P/N	Description
766251254800	DL-350 Double Lip Seal
766251226700	DL-220 Double Lip Seal
764254446490	L-44649 Outer Tapered Roller Bearing 1-1/16" Spindle Shaft
764254681490	68149 Inner Tapered Roller Bearing 1-3/8" Spindle Shaft
770413247590	2" Press-In Stud for Idler Hubs Only
785452213000	21-3 Grease Cap for Use With Plain Spindle
770963130000	21-41 Grease Cap for Use With Plain SAF-T-LUB Spindle
770963110000	85-1 Rubber Plug for SAFE-T-LUBE Grease Caps
786721408200	1/2-20 Cone Wheel Nut
770963120000	5-101 Tang Washer for SAF-T-LUB
786930200000	"O"--Washer for Standard Spindle for Use with Standard Spindle
786722016140	1-14 Slotted Jam Nut
786940000000	1/8" x 1-3/4" Cotter Pin for Use with Standard Spindle
786930000000	"D" Washer for Use with SAF-T-LUB Spindle

### WHEEL & TIRE ASSEMBLIES

AXIS P/N	DESCRIPTION	WHEEL DIA.	TYPE	LOAD RANGE	SLR	PSI	MAX LOAD CAP. (LBS)
751050440644	ST175/80 D13 5 on 4.5"	13"	Bias	C	11.2	50	1360
751050470007	ST205/75 R14 5 on 4.5"	14"	Radial	C	12.1	50	1760
751050453620	ST215/75-14 5 on 4.5"	14"		C	12.4	50	1870
751050473007	ST205/75 R15 5 on 4.5"	15"	Radial	C	12.6	50	1820
751050474007	ST225/75 R15 5 on 4.5"	15"	Radial	C	13	50	2150

Quality Driven...  
Customer Focused