



## 6,100–7,000 lb. Spring Axles

Typical Industries & Applications include:

- Recreational Vehicle Trailers
- Enclosed Trailers
  - Cargo
  - Vehicle
  - Race Vehicle
- Open Utility Trailers
  - Landscape
  - Equipment
  - Dump Trailers
  - Construction
- Agricultural Equipment
  - Feed & Grain
  - Spreaders
  - Transport
- Manufactured Home Axles



### Mounting and Dimensions

In order to minimize tire wear and axle performance issues Axis recommends that the following guidelines be followed when specifying axles within the 6,100 to 7,000 lb. The difference between hub face and spring center based on spindle and brake flange.

Type	Flange	Minimum	Maximum
Straight Spindle	No Brake Flange	13 1/4"	18"
Straight Spindle	Flanged	13 1/2"	18"
4" Drop Spindle	Flanged	17"	18"



### OPTIONS:



Spring Axle Under Slung



Spring Axle Over Slung



4" Drop Spindle



Drop Center Camber



Standard Camber

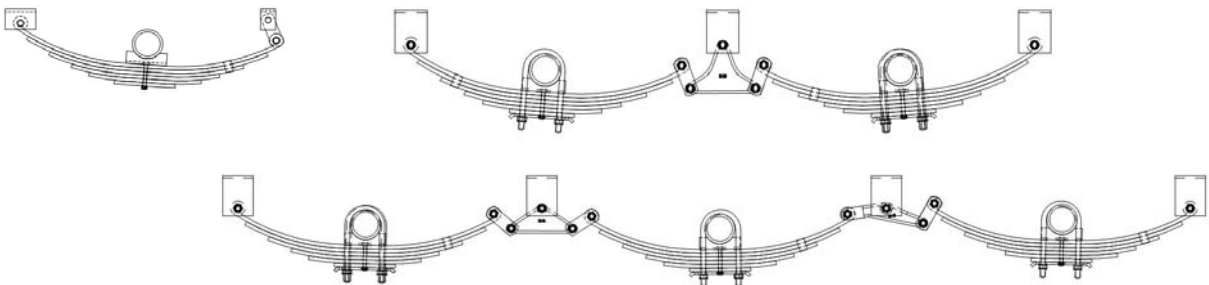
Available Finishes include:

- Powder Coating
- Galvanized
- Wet Paint



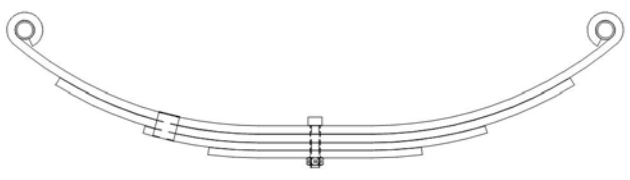
# 6,100–7,000 lb. Spring Axles

## DOUBLE EYE SPRING AXLE CONFIGURATIONS



### HANGER KITS

CONFIGURATION	AXIS P/N	AXIS P/N ZINC PLATED	AXLE SPACING (STANDARD 33")	DESCRIPTION (CONTENTS)
SINGLE KITS	7024006000	7024056000	25 3/4" Hanger Spacing	4 pcs. 18-12 Link, 2 pcs. 28-6 Hanger, 2 pcs. 93003 Hanger, 6 pcs. 3" Shackle Bolt, 6 pcs. Lock Nut
	7024004000	7024054000	25 3/4" Hanger Spacing	4 pcs. 18-12 Link, 2 pcs. 28-5 Hanger, 2 pcs. 93003 Hanger, 6 pcs. 3" Shackle Bolt, 6 pcs. Lock Nut
TANDEM KITS	7024023000	7024073000	29-1/2" Hanger Spacing	8 pcs. 18-11 Link, 2 pcs. 13-10 Equalizer, 6 pcs. 28-6 Hanger, 14 pcs. 3" Shackle Bolt, 14 pcs. Lock Nut
	7024025000	7024075000	29-1/2" Hanger Spacing	8 pcs. 18-11 Link, 2 pcs. 13-10 Equalizer, 6 pcs. 28-5 Hanger, 14 pcs. 3" Shackle Bolt, 14 pcs. Lock Nut
TRIPLE KITS	7024033000	7024083000	Front/Rear Hanger 29-1/2", Center Hanger 33"	16 pcs. 18-11 Link, 4 pcs. 13-10 Equalizer, 8 pcs. 28-6 Hanger, 24 pcs. 3" Shackle Bolt, 24 pcs. Lock Nut
	7024035000	7024085000	Front/Rear Hanger 29-1/2", Center Hanger 33"	16 pcs. 18-11 Link, 4 pcs. 13-10 Equalizer, 8 pcs. 28-5 Hanger, 24 pcs. 3" Shackle Bolt, 24 pcs. Lock Nut



### DOUBLE EYE SPRINGS

AXIS P/N	CAPACITY	LENGTH	Description
780312523000	3000 lbs.	25 1/4"	72-26 1-3/4" Width 4 Leaf Spring
780312523500	3500 lbs.	24 7/8"	72-27 1-3/4" Width 6 Leaf Spring

↳ Contact Axis Product Service and Sales Department to Order

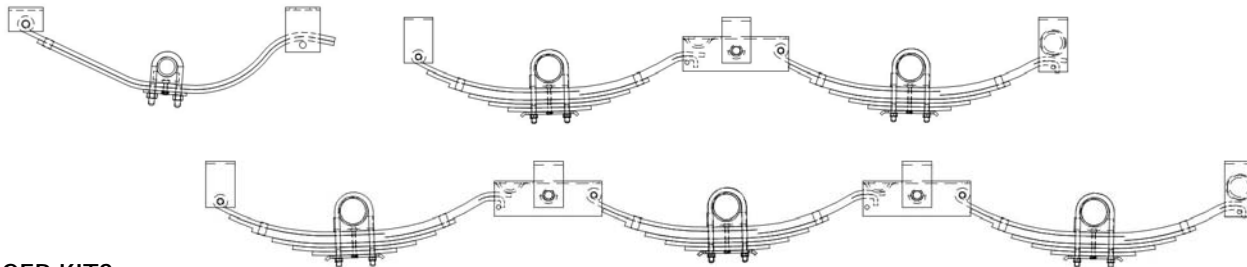
**Quality Driven...**  
**Customer Focused**





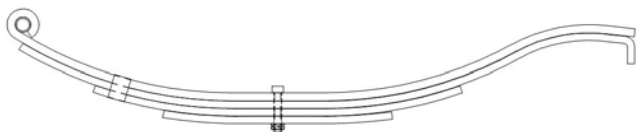
# 6,100–7,000 lb. Spring Axles

## SLIPPER SPRING AXLE CONFIGURATIONS



## HANGER KITS

CONFIGURATION	AXIS P/N	AXLE SPACING (TYPICAL)	DESCRIPTION (CONTENTS)
SINGLE KITS	7024042000	33-1/2" Spacing, 24" Hanger	4 pcs. 79-160 Hanger, 4 pcs. 3-1/2" Shackle Bolt, 4 pcs. Lock Nut
	7024043000	33-1/2" Spacing, 24" Hanger	2 pcs. 28-1 Hanger, 2 pcs. 30-28 Hanger, 2 pcs. 7-7 Keeper Bolt, 2 pcs. 6-11 Keeper Nut, 2 pcs. 3-1/2" Shackle Bolt, 2 pcs. Lock Nut
TANDEM KITS	7024044000	33-1/2" Spacing, 28 7/8" Hanger 36" Spacing, 30 5/8" Hanger	2 pcs. 29-1 Hanger, 2 pcs. 28-1 Hanger, 2 pcs. 30-28 Hanger, 2 pcs. 13-4 Equalizer, 2 pcs. 7-1 Equalizer Bolt, 2 pcs. 6-3 Nut, 4 pcs. 7-7 Keeper Bolt, 4 pcs. 6-11 Keeper Nut, 4 pcs. 3-1/2" Shackle Bolt, 4 pcs. Lock Nut
	7024045000	33-1/2" Spacing, 28 7/8" Hanger 36" Spacing, 30 3/8" Hanger	2 pcs. 29-1 Hanger, 2 pcs. 28-1 Hanger, 2 pcs. 30-28 Hanger, 2 pcs. 13-44 Long Equalizer, 2 pcs. 7-1 Equalizer Bolt, 2 pcs. 6-3 Nut, 4 pcs. 7-7 Keeper Bolt, 4 pcs. 6-11 Keeper Nut, 4 pcs. 3-1/2" Shackle Bolt, 4 pcs. Lock Nut
TRIPLE KITS	7024046000	33-1/2" Spacing, Front/Rear 28-7/8" Center 33" 36" Spacing, Front/Rear 30-3/8" Center 35"	4 pcs. 29-1 Hanger, 2 pcs. 28-1 Hanger, 2 pcs. 30-28 Hanger, 4 pcs. 13-4 Equalizer, 4 pcs. 7-1 Equalizer Bolt, 4 pcs. 6-3 Nut, 6 pcs. 7-7 Keeper Bolt, 6 pcs. 6-11 Keeper Nut, 6 pcs. 3-1/2" Shackle Bolt, 6 pcs. Lock Nut
	702404700	33-1/2" Spacing, Front/Rear 28-7/8" Center 33" 36" Spacing, Front/Rear 30-3/8" Center 35"	4 pcs. 29-1 Hanger, 2 pcs. 28-1 Hanger, 2 pcs. 30-28 Hanger, 4 pcs. 13-44 Long Equalizer, 4 pcs. 7-1 Equalizer Bolt, 4 pcs. 6-3 Nut, 6 pcs. 7-7 Keeper Bolt, 6 pcs. 6-11 Keeper Nut, 6 pcs. 3-1/2" Shackle Bolt, 6 pcs. Lock Nut



## SLIPPER SPRINGS

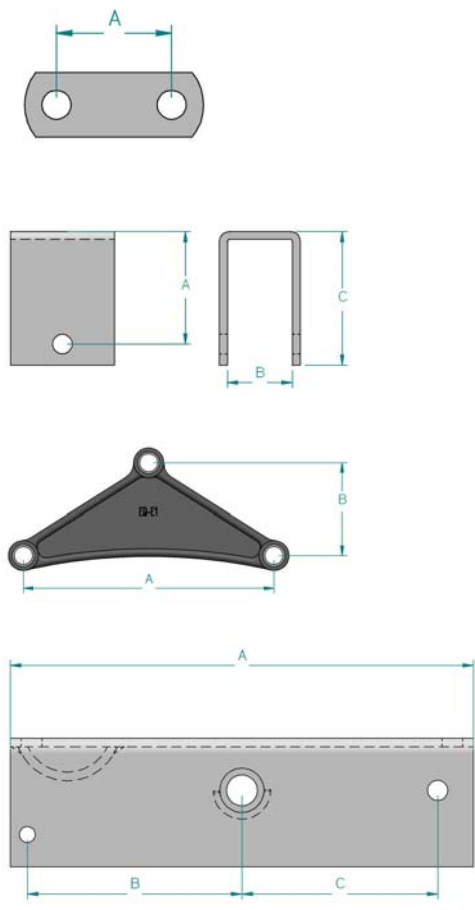
AXIS P/N	CAPACITY	LENGTH	Description
780312533500	3500 lbs.	24"	72-32 2" Width 5 Leaf Spring
780300051150	4000 lbs.	29-1/2"	E5115 2" Width 6 Leaf Spring

↳ Contact Axis Product Service and Sales Department to Order

**Quality Driven...**  
**Customer Focused**



# 6,100–7,000 lb. Spring Axles



## SUSPENSION HARDWARE

AXIS P/N	Description	A	B	C	Double Eye/ Slipper
750362134000	13-4 Zinc Plated Equalizer	11"	5 1/8"	5 1/2"	Slipper
750816181100	18-11 Zinc Short Shackle Link	2.00"			DE
750816181200	18-12 Zinc Long Shackle Link	3.125"			DE
750816811500	18-11.5 Zinc Medium Shackle Link	2.56"			DE
770361131000	13-10 Cast Equalizer	6 1/16"	4"		DE
770361135300	13-104-2 Banana Equalizer	5 3/4"	2"		DE
770361135900	E1-5 Long Banana Equalizer	7 3/4"	2 7/8"		DE
787815281000	28-10 Extra Long Hanger				DE
787815285000	28-5 Long Hanger	3.25"	1.88"	3.87"	DE
787815286000	28-6 Short Hanger	1.44"	1.88"	2.06"	DE
787815298000	29-8 Medium Hanger	2.00"	1.88"	2.63"	DE
787815930010	93001 Rear Bushed Hanger	1.12"	1.34"	2.125"	DE
787815930300	9303 Rear Hanger	1.00"	1.30"	2.25"	DE
787816181100	18-11 Short Shackle Link	2.00"			DE
787816181200	18-12 Long Shackle Link	3.125"			DE
787816512500	18-13 Extra Long Shackle Link	3.50"			DE
787816811500	18-11.5 Medium Shackle Link	2.56"			DE
750711909181	9/16-18 x 3" Shackle Bolt Zinc				DE
750711909182	9/16-18x3.5" Shackle Bolt Zinc				DE
750721909181	9/16-18 FH Nut S-Loc Zinc				DE
78671909181	Shackle Bolt Lock Nut				DE/Slipper
77071135180	7-7 Keeper Bolt				Slipper
750721305180	6-11 Keeper Bolt				Slipper
770362134000	13-4 Equalizer	11"	5 1/8"	5 1/2"	Slipper
770362134410	13-44 Long Equalizer	13 1/8"	6 1/16"	5 9/16"	Slipper
770362135500	13-105-2 Cast Equalizer	6 3/4"	2 7/8"		Slipper
770362135600	EQ-356 Cast Equalizer	6 1/8"	2 1/2"		Slipper
770711214090	7-1 Equalizer Bolt				Slipper
770722124090	6-3 Equalizer Bolt Nut				Slipper
770815281000	28-1 Front Hanger	4.16"	2.20"	4.78"	Slipper
770815291000	29-1 Equalizer Hanger	3.5"	3.06"	4.78"	Slipper
770815302800	30-28 Rear Hanger	3.94"	2.25"	5.72"	Slipper
786711909182	3-1/2" Shackle Bolt				Slipper

## U-Bolts & Tie Plates

AXIS P/N	Description
750814121000	12-1 Zinc Tie Plate 1-3/4" Spring
750814122000	12-2 Zinc Tie Plate for 2" Spring
750730008030	1/2-20 Zinc U-Bolt Lock Nut
788711108201	6-1/2" U-Bolt 3" Tube 11-17
787814121000	12-1 Tie Plate 1-3/4" Spring
787814122000	12-2 Tie Plate for 2" Spring
788711108202	11-18 Tie Plate for 2" Spring

↳ Contact Axis Product Service and Sales Department to Order

**Quality Driven...**  
**Customer Focused**





## 6,100–7,000 lb. Spring Axles

### BRAKES

AXIS P/N	Description
770512312200	12" Electric Brake Left Hand
770512412200	12" Electric Brake Right Hand
796514312200	12" Hydraulic Brake Left Hand
796514412200	12" Hydraulic Brake Right Hand
796514312212	12" Hydraulic Brake/ Free Backing w/ Park Left Hand
796514412212	12" Hydraulic Brake/ Free Backing w/ Park Right Hand
796713410700	13" E-Coated Disc Brake Set (includes all attaching components)
796713410075	13" SCAD Disc Brake Set (includes all attaching components)

### HUBS (All Parts (w/AP) Includes—Bearings, Seal, Dust Cap, Wheel Nuts & Grease)

AXIS P/N w/AP	AXIS P/N Race Only	Bolt Pattern	Description
702361100000	770412712610	6 on 5-1/2"	H-1206 Hub for Plain Spindle
702361110000	770412712610	6 on 5-1/2"	H-1206 Hub for SAFE-T-LUBE Spindle
702362100000	770412712810	8 on 6-1/2"	H-1208 Hub for Plain Spindle
702362200000	770412712810	8 on 6-1/2"	H-1208 Hub for SAFE-T-LUBE Spindle
702366100000	770412712610	6 on 5-1/2"	HD-1206 Drum for Plain Spindle
702366200000	770412112610	6 on 5-1/2"	HD-1206 Drum for SAFE-T-LUBE Spindle
702367100000	77041211810	8 on 6-1/2"	HD-1208 Drum for Plain Spindle
702367220000	770412112810	8 on 6-1/2"	HD-1208 Drum for SAFE-T-LUBE Spindle
702366510000	770412908653	8 on 6-1/2"	13" Integral Hub & Rotor for Disc Brake

↳ Contact Axis Product Service and Sales Department to Order

**Quality Driven...**  
**Customer Focused**



# 6,100–7,000 lb. Spring Axles

## HUB HARDWARE

AXIS P/N	Description
766251101500	DL-600 Double Lip Seal for 2-1/8" Spindle Shaft
766251701036	DL-700 Double Lip Seal for 2-1/4" Spindle Shaft
764254141250	14125A Outer Taper Roller Bearing for 1-1/4" Spindle
764254255800	25580 Inner Taper Roller Bearing for 1-1/4" Spindle
770413247590	2" Press-In Stud for Idler Hubs Only
770413247800	2-1/2" Press-In Stud for Idler Hubs & Brake Drums
785452211000	21-1 Grease Cap—Fits 6 Lug Hub/Drum for Use With Plain Spindle
785452213900	21-39 Grease Cap—Fits 8 Lug Hub/Drum for Use With Plain Spindle
770963150000	21-43-01 Grease Cap—Fits 8 Lug Hub/Drum for Use with SAFE-T-LUBE Spindles
770963110000	85-1 Rubber Plug for SAFE-T-LUBE Grease Caps
786721408200	1/2-20 Cone Wheel Nut
770413247750	Press-In Stud for 13" Rotor
770963120000	5-101 Tang Washer for SAF-T-LUB
786930200000	"O"-Washer for Standard Spindle for Use with Standard Spindle
786722016140	1-14 Slotted Jam Nut
786940000000	1/8" x 1-3/4" Cotter Pin for Use with Standard Spindle
786930000000	"D" Washer for Use with SAF-T-LUB Spindle

## WHEEL & TIRE ASSEMBLIES

AXIS P/N	DESCRIPTION	WHEEL DIA.	TYPE	LOAD RANGE	SLR	PSI	MAX LOAD CAP. (LBS)
751050420000	ST235/85 R16 6 on 5.5 White Spoke	16"	Radial	E	14.3"	90	3042
751050431607	ST235/85 R16 8 on 6.5 White Spoke	16"	Radial	E	14.3"	90	3042
751050431608	ST235/80 R16 8 on 6.5 White Spoke	16"	Radial	D	14.0"	65	3000
751050431609	ST235/80 R16 8 on 6.5 Silver Mod	16"	Radial	D	14.0"	65	3000
751050431610	LT235/85 R16 8 on 6.5 White Spoke	16"	Radial	D	14.3"	65	2623
751050431620	LT235/85 R16 8 on 6.5 Silver Mod	16"	Radial	D	14.3"	65	2623
751050431630	LT235/85 R16 8 on 6.5 White Mod	16"	Radial	D	14.3"	65	2623

↳ Contact Axis Product Service and Sales Department to Order

**Quality Driven...**  
**Customer Focused**

