

**TORSION AXLE ORDER FORM**

CUSTOMER NAME: \_\_\_\_\_ SHIP TO: \_\_\_\_\_

ORDER DATE: \_\_\_\_\_ PHONE: \_\_\_\_\_ PO#: \_\_\_\_\_ SHIP VIA \_\_\_\_\_

SHIP DATE: \_\_\_\_\_ SALES TAX: \_\_\_\_\_ TERMS: \_\_\_\_\_

QUANTITY: \_\_\_\_\_

CAPACITY: \_\_\_\_\_

HUBFACE: \_\_\_\_\_

OUTSIDE OF BRACKET DIMENSION: \_\_\_\_\_ (ATP BRACKET WIDTH 2")

**\*IF THE BRACKET WIDTH IS 2.50" OR GREATER PLEASE PROVIDE INSIDE OF BRACKET DIMENSION\***

INSIDE OF BRACKET DIMENSION: \_\_\_\_\_

MINIMUM/ MAXIMUM DIFFERENCE BETWEEN HUB FACE & OUTSIDE OF BRACKET

	MIN	MAX
# 22 (1,000# - 2,200#)	13"	21.750"
#35 (2,500# - 3,500#)	13"	23.625"
#52 (4,000# - 5,200#)	15"	23.625"
#70 (5,500# - 7,000#)	15"	30.375"

SIDE MOUNT KIT   
 1" HIGH PROFILE   
 INBOARD   
 ARM ANGLE: \_\_\_\_\_

LOW PROFILE   
 OUTBOARD   
 UP  DOWN

FLANGED   
 SAFE-T-LUBE   
 CAMBER   
 DROP CENTER

UNFLANGED   
 PLAIN   
 YES  NO   
 YES  NO

**NOTICE: WARRANTY IS VOID IF AXLE IS OVER MAX**

**BRAKES / HUB**

ELECTRIC   
 FREE-BACKING   
 HUB/DRUM BOLT PATTERN: \_\_\_\_\_

HYDRAULIC   
 PARK

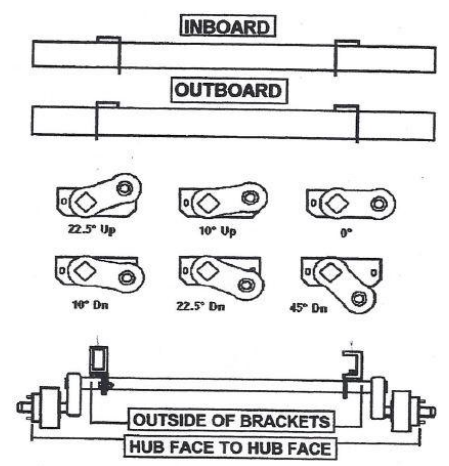
DISC

PAINTED   
 STD LEAD TIME

RAW (UNPAINTED)   
 EXPRESS RUN

GALV

TOTAL AXLE COST \$ \_\_\_\_\_  
 EXPRESS RUN FEE \$ \_\_\_\_\_  
 OTHER CHARGES \$ \_\_\_\_\_



CUSTOMER APPROVAL \_\_\_\_\_

PLEASE READY ORDER CAREFULLY, SIGN ABOVE & RETURN BY THE NEXT BUSINESS DAY TO INITIATE THE ORDER.  
ORDER WILL NO BE PROCESS UNTIL THE SIGNED ORDER FORM IS RETURNED

# REVISION

REV	DESCRIPTION	DATE	APPROVED
B	REDESIGNED ORDER FORM	12/20/2021	LW
C	ADD 1" TO HIGH PROFILE BRACKET	8/8/23	LW
D	ADDED INSIDE OF BRACKET DIMENSION	11/8/2023	LW