



3403 Reedy DR

Elkhart, Indiana 46514
 Phone: (574)264-7955
 overbey@axistrailerproducts.com
 AXISTRILERPRODUCTS.COM

SPRING AXLE ORDER FORM

CUSTOMER NAME: _____ SHIP TO _____

ORDER DATE _____ PHONE _____ PO# _____ SHIP VIA _____
 SHIP DATE _____ SALES TAX _____ TERMS _____

QUANTITY _____
 CAPACITY _____
 HUB FACE _____ SPRING CENTER _____

STANDARD TUBE HEAVY WALL TUBE

STRAIGHT SPINDLE 4" DROP SPINDLE

FLANGED UNFLANGED

SAFE-T-LUBE PLAIN

CAMBER YES NO

DROP CENTER YES NO

UNDERSLUNG OVERSLUNG

DOUBLE EYE SLIPPER

Axle Type	Tube Size	overhang	
		Min	Max
T20 IDLER	1 3/4"	10"	15 1/4"
T20 BRAKE	1 3/4"	11 3/4"	15 1/4"
T20 IDLER	2 3/8"	11 3/4"	20"
T20 BRAKE	2 3/8"	11 3/4"	20"
T35 STRAIGHT	2 3/8"	11 3/4"	17"
D35 DROP	2 3/8"	14 7/8"	19"
T35 STRAIGHT	3"	14 1/4"	23"
D35 DROP	3"	14 1/4"	23"
T44 STRAIGHT	3"	14"	22"
T52/T60 STRAIGHT	3"	13"	18"
T70 STRAIGHT	3"	13"	19 1/2"
D52/D60 DROP	3"	17"	20 1/2"
D70 DROP	3"	17"	19 1/2"
T80 STRAIGHT 12 "X 3 3/8"	3 1/2"	17"	22"
D80 DROP 12 "X 3 3/8"	3 1/2"	18"	23 1/2"
T80 STRAIGHT 12 "X 2"	3 1/2"	15"	22"
D80 DROP 12 "X 2"	3 1/2"	18"	23 1/2"

BRAKES

ELECTRIC HYDRAULIC DISC FREE-BACKING PARK

HUB/DRUM BOLT PATTERN _____

CUSTOMER APPROVAL: _____

PLEASE READ THE ORDER CAREFULLY, SIGN ABOVE & RETURN BY THE NEXT BUSINESS DAY TO INITIATE THE ORDER

ORDER WILL NOT BE PROCESSED UNTIL THE SIGNED ORDER FORM IS RETURNED

PAINTED (STD) RAW (UNPAINTED)

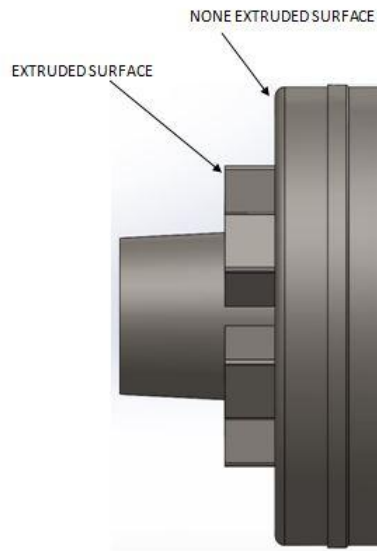
GALVANIZED POWER COATED

STD LEAD TIME EXPRESS RUN

TOTAL AXLE COST \$ _____
 EXPRESS RUN FEE \$ _____
 OTHER CHARGES \$ _____
 TOTAL \$ _____



- PLEASE NOTE THE HUB FACE LOCATION WILL VARY DEPENDING IF THE DRUM HAS AN EXTRUDED SURFACE



CUSTOMER APPROVAL: _____

PLEASE READ THE ORDER CAREFULLY, SIGN ABOVE & RETURN BY THE NEXT BUSINESS DAY TO INITIATE THE ORDER
ORDER WILL NOT BE PROCESSED UNTIL THE SIGNED ORDER FORM IS RETURNED