

TORSION AXLE ORDER FORM

CUSTOMER NAME: _____ SHIP TO: _____

ORDER DATE: _____ PHONE: _____ PO#: _____ SHIP VIA _____

SHIP DATE: _____ SALES TAX: _____ TERMS: _____

QUANTITY: _____

CAPACITY: _____

HUBFACE: _____

OUTSIDE OF BRACKET DIMENSION: _____ (ATP BRACKET WIDTH 2")

IF THE BRACKET WIDTH IS 2.50" OR GREATER PLEASE PROVIDE INSIDE OF BRACKET DIMENSION

INSIDE OF BRACKET DIMENSION: _____

MINIMUM/ MAXIMUM DIFFERENCE BETWEEN HUB FACE & OUTSIDE OF BRACKET

| | MIN | MAX |
|------------------------|-----|---------|
| # 22 (1,000# - 2,200#) | 13" | 21.750" |
| #35 (2,500# - 3,500#) | 13" | 23.625" |
| #52 (4,000# - 5,200#) | 15" | 23.625" |
| #70 (5,500# - 7,000#) | 15" | 30.375" |

SIDE MOUNT KIT
 1" HIGH PROFILE
 INBOARD
 ARM ANGLE: _____

LOW PROFILE
 OUTBOARD
 UP DOWN

FLANGED
 SAFE-T-LUBE
 CAMBER
 DROP CENTER

UNFLANGED
 PLAIN
 YES NO
 YES NO

NOTICE: WARRANTY IS VOID IF AXLE IS OVER MAX

BRAKES / HUB

ELECTRIC
 FREE-BACKING
 HUB/DRUM BOLT PATTERN: _____

HYDRAULIC
 PARK

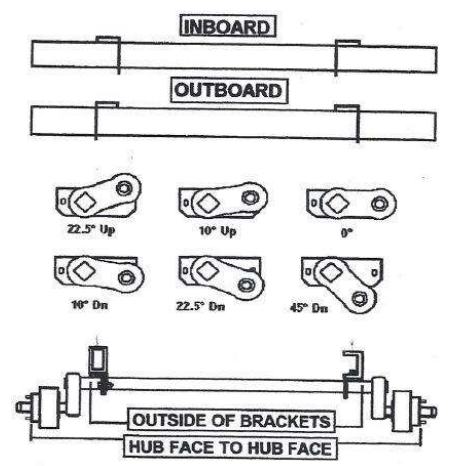
DISC

PAINTED
 STD LEAD TIME

RAW (UNPAINTED)
 EXPRESS RUN

GALV

TOTAL AXLE COST \$ _____
 EXPRESS RUN FEE \$ _____
 OTHER CHARGES \$ _____



CUSTOMER APPROVAL _____

PLEASE READY ORDER CAREFULLY, SIGN ABOVE & RETURN BY THE NEXT BUSINESS DAY TO INITIATE THE ORDER.
ORDER WILL NO BE PROCESS UNTIL THE SIGNED ORDER FORM IS RETURNED

- PLEASE NOTE THE HUB FACE LOCATION WILL VARY DEPENDING IF THE DRUM HAS AN EXTRUDED SURFACE

